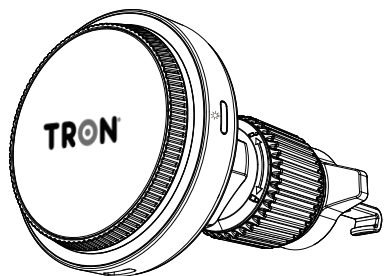


IC-Q2 25W产品说明书



尺寸: 280*100mm 双面印刷 材质: 128克铜版纸

User Manual

Magnetic Electronic
Refrigeration Wireless Car Charger



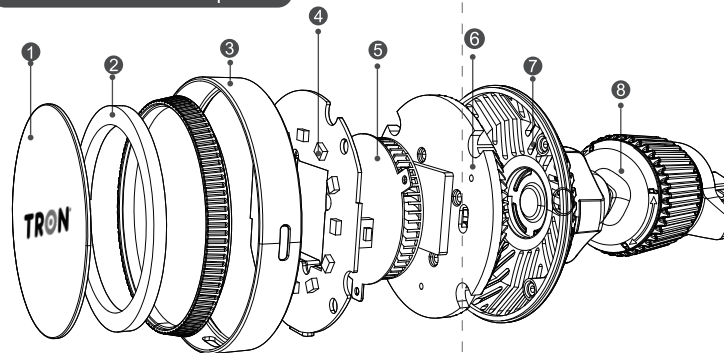
Product Features

1. Built-in strong magnets, easier for one-hand operation.
2. Built-in smart semiconductor chilling plate and cooling fan, the fan will start working when the wireless charging starts, the chilling plate cools the wireless charging coil and the phone surface simultaneously to improve the wireless charging efficiency.
3. Standby mode: The light with cycle memory function, the RGB light keeps on after running 3 laps, and the brightness is halved after 10 seconds of standby.
4. Charging mode: The ice blue light breathing.
5.  Fan Button: When wireless charging, press the button to turn off the fan and semiconductor chilling plates. When off, the fan will stop working 20 seconds later after the semiconductor chilling plate stops.
6.  Light Button: RGB running light will display according to the memory function when powered on: Press the light button, the green light turns on and keeps on. After 10 seconds, the brightness is reduced to half. Press the light button, and the light gradually changes from red to green, blue, ice blue, yellow, purple, and white. After 10 seconds, the brightness is reduced to half. Press the light button again to turn the light off. Press the light button again, return to step 1, and the cycle repeats.
5. FOD function: when put such as one coin, metal, or magnetic objects on the charger, the ice blue light flashes 6 times and the phone does not charge.
6. Comprehensive protection: such as temperature, overpressure, etc.

Product Operating Guide

1. Please make sure the product connect to the power before using.
2. The product stop charging when the current is too large or there is foreign object. Do not wireless charging the phone if similar situation happened.
3. Please purchase the wireless receiver module or case separately (Not included in the product) if your phone do not support wireless charging.
4. The power input is 15V, when placed the phone and wireless charging starts, the chilling plate works and the fan rotates. When the phone is removed, the chilling plate stops working and the fan stops rotating 20 seconds later.
5. It is recommended to use phone case less than 2.5mm thick. The product cools the phone backside surface, too thickness phone case will affect the cooling effect.

Product Parts Description



Specifications

Input	15V/3A
Output	25W Max
Product Standard	Qi2.2
Charging Distance	<3mm
Charging Efficiency	≤70%
Product Dimension	68.6*48.6*68.6mm
Product Material	ABS+Tempered Glass

Two Year Limited Warranty
For Support Visit tron-us.com

Attention

1. Please do not vigorously extrude or collide.
2. Please do not dismantle or put it into fire or water when the product is power on, to avoid short circuit or leakage.
3. Please do not use it in severely high temperature, high humidity or corrosive environment, to avoid damage to the circuit leakage.
4. Please do not put the magnetic strip or chip card (Such as ID card, bankcard etc.) on the charging pad to avoid to cause magnetic card lose efficacy.
5. Please do not put the metal (Such as coin etc.) on the charging pad when charging, to avoid damage from heating.

Note: This product is applicable to all Qi standard wireless charging phones, other phones need an external receiver for wireless charging function.